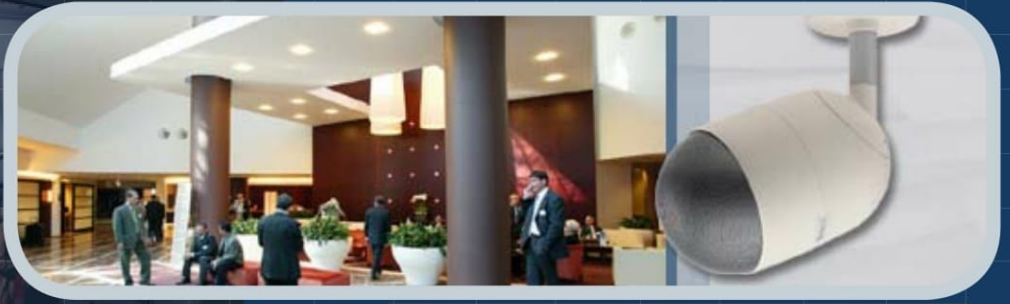


fire detection CCTV access control alarms network cabling



technology  
precision

quality

[Forserviz.com](http://Forserviz.com)

 **COMPANY PROFILE**

technology  
precision quality

**Forserviz.com**

## Introduction



## Introduction

Forserviz.com is a quality driven company offers only the finest equipment available in carefully integrated systems designed to achieve a cost effective approach to current and future needs. We are a reputable dynamic company and staffed by professionals with hands on experience. The main field of expertise being integrated fire and security systems from concept to final handover, with after sales service. Forserviz.com has the necessary expertise to engineer innovative, effective and reliable solutions. Our installation standards and criteria for election of personnel form part of our tightly monitored and controlled quality system.

## Area of Operation

Forserviz is primarily based in Chennai however has completed various projects across India.

## Installation Capabilities

Forserviz performs maximum in-house installation work, with the majority of installations performed by our contractors who are experienced in the field of Fire and Security Systems. Projects undertaken by Forserviz are completed within the programme time limits, on budget and all snags completed.

Forserviz allocates all projects undertaken to a specific project manager who is responsible for the project from concept to handover.



technology  
precision quality



Our Experience

 Our experience spread across the following companies:

To name our clients is to show favour and as each client is of equal importance to us, we should ask that if such a list is desirable, that you request this from our Sales Office. Due to the confidential nature of our business, permission will be requested from these clients before the information may be disclosed.



technology  
precision quality

Forserviz.com

## Fire Alarm System

A Fire Alarm System is an active fire protection system that detects fire or the effects of fire, and as a result provides one or more of the following: notifies the occupants, notifies persons in the surrounding area, summons the fire service, and controls all the fire alarm components in a building. Fire alarm systems can include alarm initiating devices, alarm notification appliances, control units, fire safety control devices, annunciators, power supplies, and wiring.

A fire alarm system is composed of components which can be classified into the following categories.

**Initiating Devices** - these devices either sense the effects of a fire, or are manually activated by personnel, resulting in a signal to the fire alarm panel. Examples are heat detectors, smoke detectors, manual pull stations or call points, and sprinkler pressure or flow switches.

**Main Fire alarm control (panel)** - this is the central brain of the overall system, which coordinates the signals and resultant actions of the system.





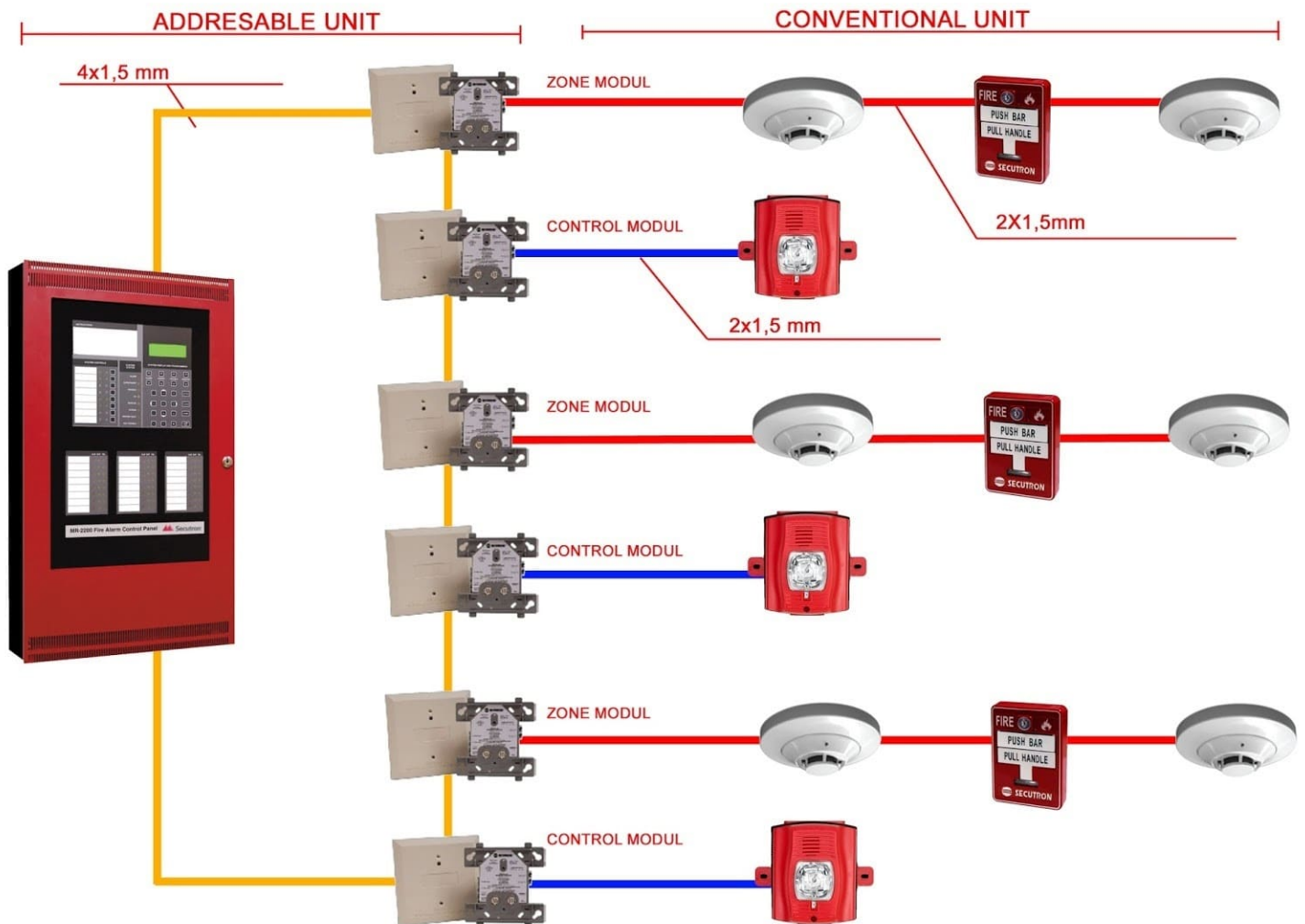
technology  
precision quality

Forserviz.com

## Fire Alarm System

**Fire Alarm Control Unit (Panel)** - any panel providing required functions, and has inputs and outputs. NAC Power booster panels are the most common example. **Power supply** - because one of the fire alarm system objectives is life safety, fire alarm system power supplies are redundant, and reliable when compared to electronic or electrical systems of similar complexities (e.g., HVAC control systems). **Primary supply** Commercial light and power. **Backup/secondary supply** - Usually sealed, lead-acid batteries. NAC power supplies for additional notification appliances beyond the original capability of the FACP. **Generators** are permitted under strict rules.

**Notification appliances** - these devices provide stimuli for initiating emergency action and provide information to users, emergency response personnel, and occupants. Examples are bell, siren, horn, speaker, light, or text display that provides audible, tactile, or visible outputs. **Signaling line circuits (SLC)**- the wiring which carries data information.





technology  
precision quality



## Access Control System

To meet new demands for access control management and compliance, and to support the increasingly complex policies that this requires, your organization needs Secure Access Control System.

Your enterprise can gain these benefits from Access Control System:

Receive support for two distinct protocols: RADIUS for network access control and TACACS+ for network device access control

Use multiple databases concurrently for maximum flexibility in enforcing access policy. Enjoy increased power and flexibility for access control policies that may include authentication for various access requirements

Get integrated monitoring, reporting and troubleshooting components, accessible through an easy-to-use, webbasedGUI Use Access Control System to complement your existing infrastructure and enhance visibility and control across the domain. It offers central management of access policies for device administration and for wireless and wired 802.1X network access scenarios.



The attendance recording system consists of AR-800 and FP- 1000, which have so far proved to be accurate and excellent attendance systems for different customers. These systems are designed in accordance to clients' requisites and strictly comply with the high standards of quality, durability, and performance. Thorough check has been kept at each stage of the production of attendance recording systems so that there are no possibilities of dissatisfaction from clients' side. You can rely upon our products as these are easier to operate, are cost-effective, and deliver excellent functioning.

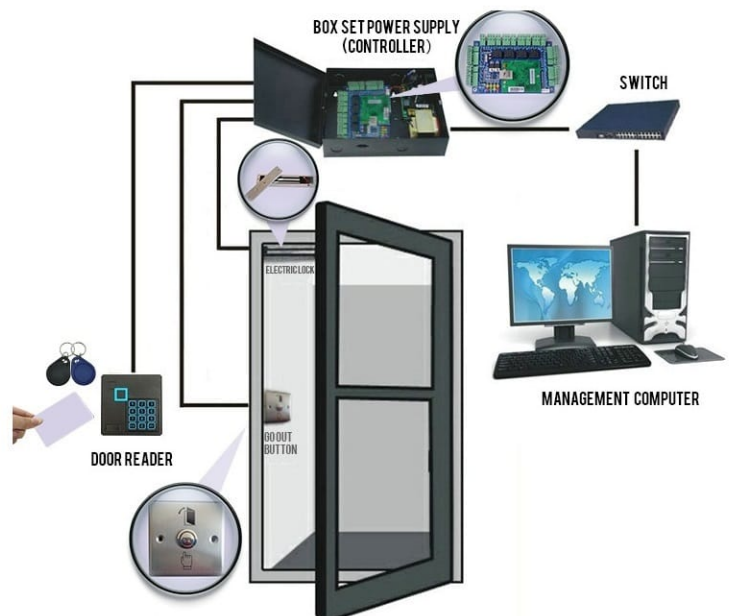
Ideal for medium and large organizations Support of Proximity (RFID)/ Mifare technology

1000 Employee Database with name, birthday schedule, time zone info (Display of employee name in case of valid swipe)

16 user defined time zones, each employee access to the recorder may be configured for various time zones

Last 15000 transaction storage capacity, Flexible memory management for transaction and database

Non volatile memory & RTC. Data retention for more than 10 years





technology  
precision quality

Forserviz.com

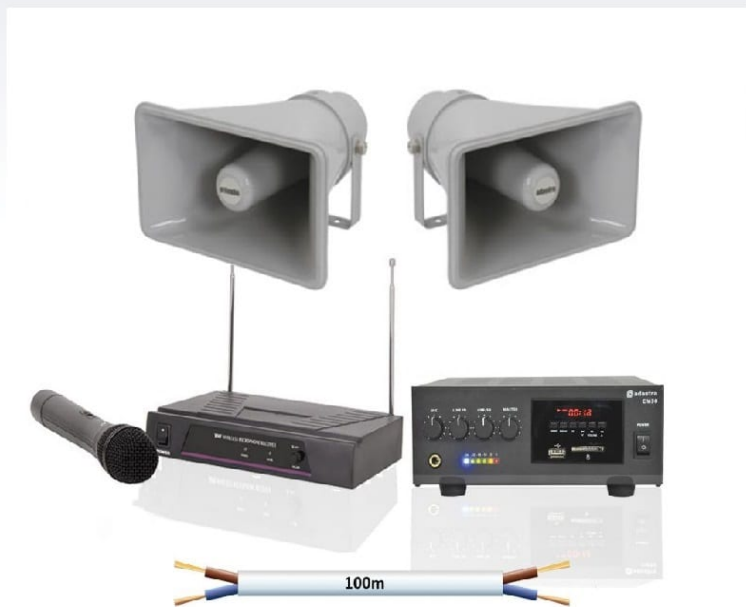
## Public Address System

Our company offers a wide range of contemporary Public Address Systems, which have crystal clear sound and are also known for their durability and reliability.

These Public Address Systems are available in lightweight and meet the industry standards.

They are precisely engineered, battle-tested audio tools that are used to rise to the challenge for offering best audio communication solutions.

The Public Address System offered is exclusively designed for public addressing and emergency purposes. These fully digitalized systems are available in the small, medium sized and have found various applications such as IT parks, factories, offices shopping malls, supermarkets, schools and universities.





technology  
precision quality

Forserviz.com

## CCTV System

In the retail sector, the use of CCTV is not confined to the prevention of crime. Properly designed and implemented, modern digital CCTV also provides valuable management information, as well as crowd control, staff monitoring and support.

With a safer environment and increased peace-of-mind for staff, customers and the general public, there are benefits in terms of increased traffic and business.

Internal shrinkage/loss is a major problem for the retail sector. By using CCTV to monitor cashier activity, these losses can be significantly reduced.

We can supply and install cameras hidden inside a variety of everyday appliances and inconspicuous housings.

Hidden/covert security cameras are virtually undetectable yet provide high quality picture even through a pinhole. Hidden/covert security cameras provide security without creating an oppressive environment. They actually detect crime whereas visible cameras tend to deter. An effective solution for eliminating office theft, shoplifting, stock shrinkage and burglary.

CCTV is now commonplace in most environments with a vast array of equipment available. As a professional installation company, we can provide the best solution to meet your requirements and budget. Our solutions incorporate only quality equipment from manufacturers such as Panasonic, Sony Bosch and Pentax. We also lead the way in Ethernet CCTV, pioneering the latest technology to transmit quality CCTV images over LAN's/WAN's and the Internet.





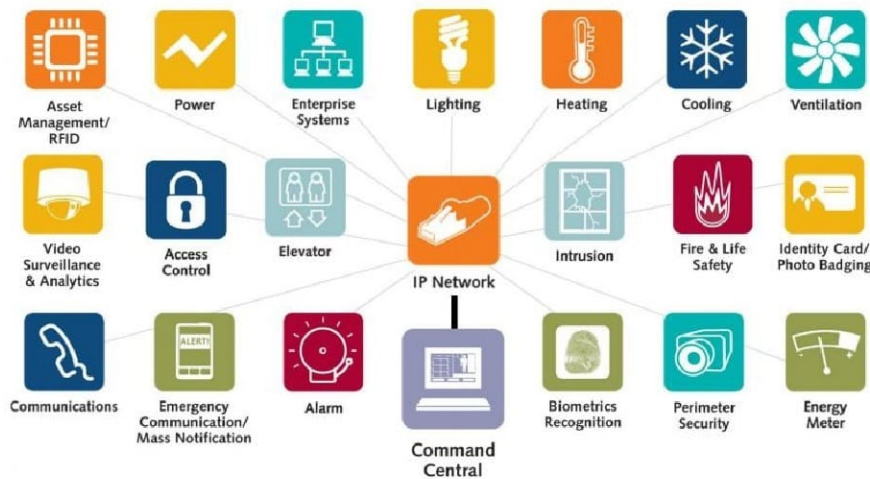
technology  
precision quality

Forserviz.com

# Building Management System

Building Automation System (BAS) is a micro processor control system designed to monitor and control all parameters of HVAC, electrical, PHE, fire protection, elevators and other building services/utilities. BAS helps in conserving energy by executing various energy efficient programs for optimized performance of the systems and to assist the operation and maintenance of the installation.

Building Automation System The system is DDC (Direct Digital Control) based with functions distributed both physically and functionally over the field controllers. The DDC interface, with sensors, actuators and environmental control systems, carries out various functions of energy management, alarm detection, time/event/holiday/temporary scheduling, communication interface/control and building maintenance & report generation.





technology  
precision quality

Forserviz.com

## Network Cabling

Structured cabling provides the critical backbone of a communication system. Forserviz understands the complex issues involved in planning, installing and maintaining network communication systems. With our expertise and experience, Forserviz provides our customers with the commitment that the telecommunications infrastructure, no matter how complex, will be designed, constructed and installed to meet current and future requirements.

We will wire a data center, office or building for data or voice communications

We can reduce costs through each phase of its life cycle: installation; moves, adds, and changes; maintenance and administration.

Inferior cabling systems are the cause of up to 70% of network downtime and by installing a standards compliant structured cabling system much of this downtime can be effectively eliminated.

Documentation of your cabling will reduce the time it takes to modify the original installation, minimize network downtime, increase the life of a cabling and reduces the number of technicians needed to handle problems.

Our team will help you develop a Network Management system you can use to manage all of your cable to make life easier in the future.

